

TOP CRANE®

Maximizing The Human Efficiency





ABOUT US

TOP CRANE is One of the leading Engineering company which manufacturing wide range of Material handling equipments such as Electric Wire Rope Hoist, Electric Chain Hoist, E.O.T Cranes, Single Girder Cranes, Double Girder Cranes, Gantry Cranes, Jib cranes, Transfer Cars, Electric Winches, Grab Buckets, Light Crane System, Crane Control Equipments and Crane Components in INDIA.

We have a strong Design & Development team to undertake any specified application challenges with a fully computerized design department backed by a well qualified and highly experienced team of engineers in material handling equipments.

Expose to national and international standards, computer and crane design software, Computer aided drawing are the company's engineering strength.

We got excellent manufacturing facilities with E.O.T. Cranes installed at our Rajkot (GUJ.)plant, Which are capable to handle manufacturing heavy assemblies, long girder & heavy fabrication with high quality

CORE PURPOSE

"To Maximize the human efficiency by providing technical solution and there by contributing to be a better tomorrow"

CORE VALUE

We always Demands Excellence

We always believes in hard work and Honesty

We always Responsive & Result Oriented

We always believes the Quality in all Aspects

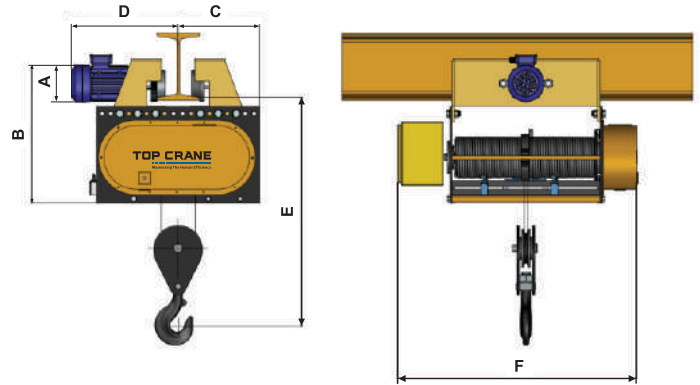
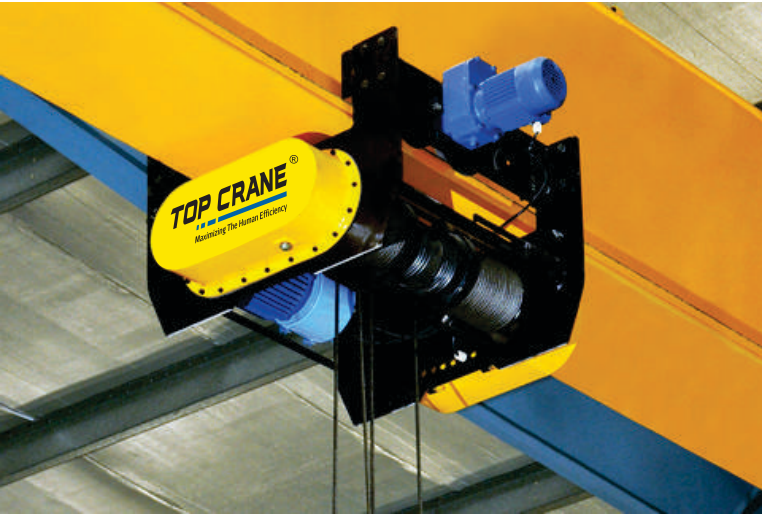
We always Respects to all & build a Strong Relationship

BHAG (Big Hairy Audacious Goal)

To Incorporate the Grate practice of GE, Maximize the Efficiency of 50 millionpeople and become 50 Billion Company by 2030.

We maximize
human **efficiency**





Top Crane is the leading manufacturer of electric wire rope hoist.

S.W.L Kgs	Hight of lift im Mts	No. of Falls	Speed mpm		Motor HP		Flange Width of I Beam	Wire Rope Dia	Dimension (mm)						Approx Wt. in Kgs
			Hoisting	CT	Hoisting	CT			A	B	C	D	E	F	
1000	6	2	3	15	1.5	0.25	90-140	8	120	450	260	410	610	810	190
2000	6	2	3	15	3.0	0.50	100-140	10	150	660	364	480	1000	1160	400
3000	6	4	3	12	5.0	0.50	125-140	10	150	650	364	605	1000	1300	450
5000	6	4	3	12	7.5	1.0	140-210	12	174	674	379	450	1140	1310	560
7500	6	4	3-3-5	12	10	1.0	150-210	14	174	835	504	580	1250	1500	1000
10000	6	4	3-3-5	12	12.5	1.0	150-210	16	174	850	504	580	1500	1500	1200

Electric Chain Hoist



Top crane brand is well known brand in Electric Chain hoist, We are manufacturing 250Kg to 10 MT Electric Chain hoist. Our chain Hoist Available with European design and heavy-duty application also.

Single Girder EOT Crane

TOP CRANE Single girder cranes have compact construction and allow maximum utilization of room height.

Capacity : Upto 20000 Kg

Span : Up to 40 Mtrs.

Height of lift : As per customer specification

Control System : Latest Technology and high accuracy



Double Girder EOT Crane

TOP CRANE Double girder cranes are rugged in construction and find their use in a wide range of hoisting capacities and application.

Capacity : Upto 2,00,000 Kg

Span : Up to 40 Mtrs.

Height of lift : As per customer specification

Control System : Latest Technology and high accuracy

Gantry Cranes

TOP CRANE manufactures Gantry Crane ranging from 1 ton to 60 ton capacity and up to 40 meter span and height of lift as per customers requirement. These are generally used outdoors in Engineering Industries, Ship yards, Ports, Granite, Steel Yards, Cement Pipe Industries, Open yard, Storage Places, Container Depot etc.



Jib Cranes

TOP CRANE'S Jib Crane are ideal solution for loading unloading jobs on work station / machine tools or for dispatch section for loading unloading from trucks. Jib Cranes designed & manufactured as per IS : 15419. Capacities ranging from 1t to 5t and jib radius from 3m to 8m.

Self supporting (Pillar Mounted) jib crane with 180° to 300° rotation.

Column / wall mounted jib cranes with 180° rotation.



Grabbing cranes



Steel Plant Cranes



Foundry Crane



Power Plant Cranes



Coil Handling Cranes



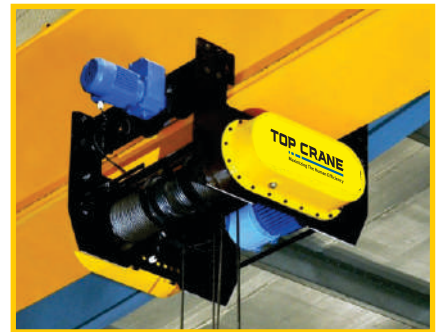
Light Crane System



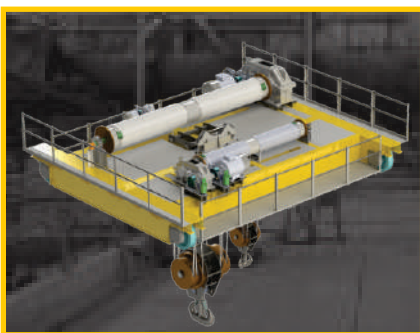
Jib Cranes



Electric Transfer Trolley



Electric Wire Rope Hoist



Heavy Duty Crab



Crane Crab



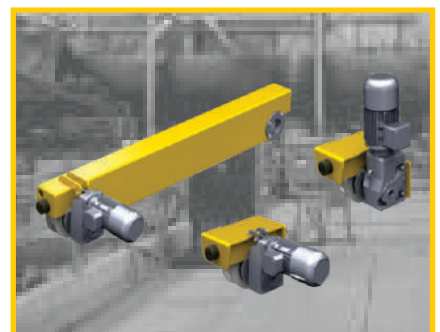
**Electric Wire Rope Hoist
(European Design)**



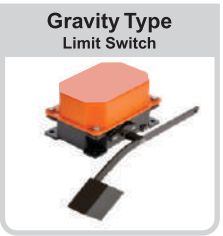
Special Application Hoist



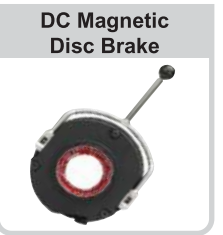
Crane End Carriage



L-Block Wheel & End Carriage



Industrial Brakes



Lifting Equipments



Weight Scale



Hydraulic Hand Pallet Truck



Table Lifter



Single Scissor Hand Pallet



Electro Magnetic Lifter



Manipulator

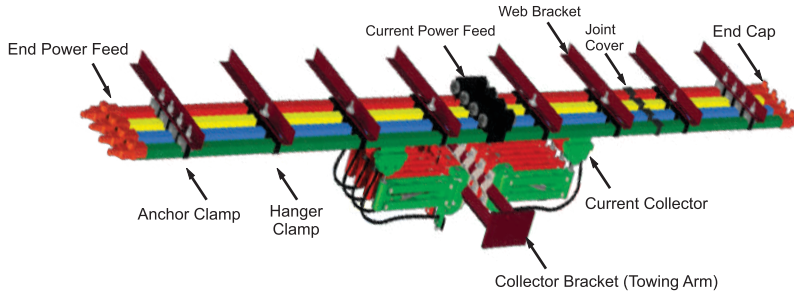


Magnetic Lifter



Manual Hand Pallet Stracker

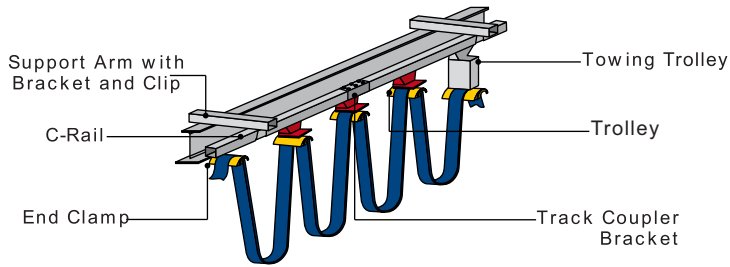
DSL SHROUDED BUSBAR SYSTEM



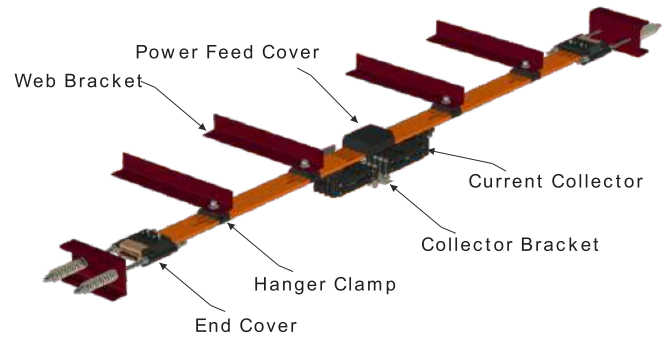
ENCLOSED BUSBAR SYSTEM



FESTOON SYSTEM (C-RAIL)



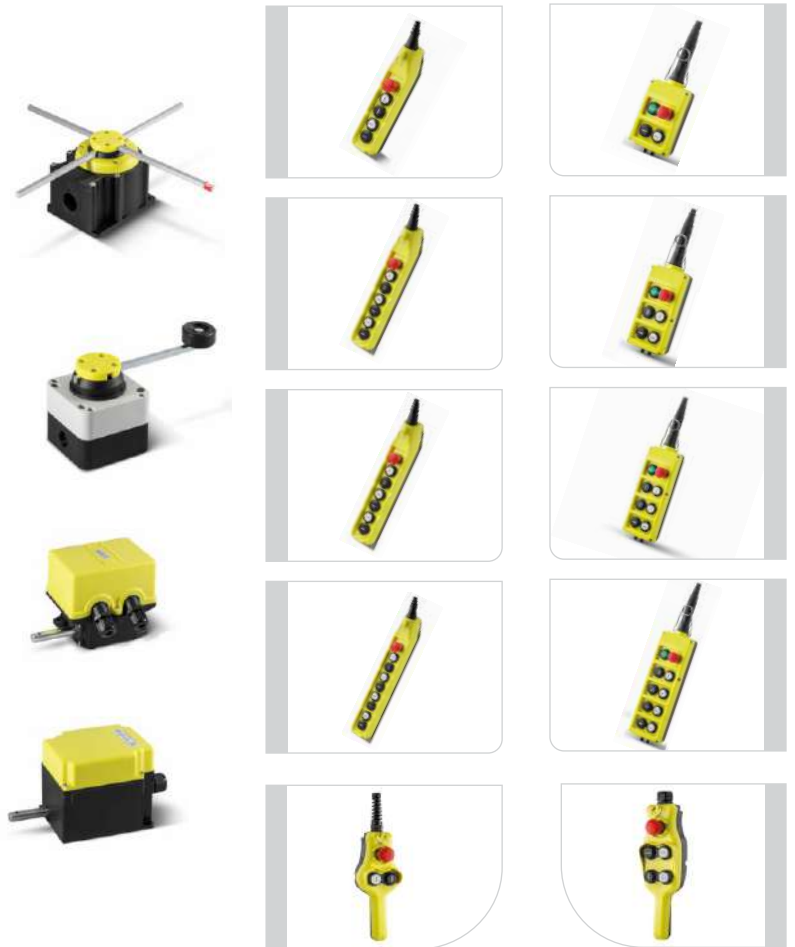
FLEXIBLE CONDUCTOR BAR SYSTEM



WIRE LESS RADIO REMOTE CONTROL



PENDANT STATION & LIMIT SWITCHES



OUR ESTEEMED CUSTOMERS



TOP CRANE SYSTEM PVT. LTD.

(An ISO 9001 : 2015 Certified Company)

Plot No. 6 & 7, Survey No.: 15 Kotda Sangani State Highway, Veer Industrial,
Nr. 66 kv Substation, Village.: Piplana, Rajkot - 360024, Gujarat (INDIA).

Email : sales@topcrane.in / inquiry@topcrane.in

Mo. No.: + 91 9712977753 / +91 9016290613 / +91 9327964875 / +91 6354011480

www.topcrane.in / www.topcraneindia.com / www.topcranesystem.com